



WINDOWS DOORS FACADES  
GARAGE DOORS  
MANUFACTURER

CATALOGUE



SECTIONAL  
GARAGE DOORS

[www.inwestprofil.pl](http://www.inwestprofil.pl)

# TABLE OF CONTENTS

3	COMPRESSION SPRING MECHANISM
4	TORSION SPRING MECHANISM
5	DOOR GLAZING
6	ALTERNATIVE DOORS
7	DRIVES FOR SECTIONAL GARAGE DOORS
8	ACCESSORIES
8-9	DESIGN

With more than 20 years in business, INWEST-PROFIL is engaged in the manufacture and sale of window and façade joinery and garage doors.

Our products are appreciated by numerous customers not only in Poland, but also abroad, including countries such as France, Germany, England, Slovakia and Italy.

The production facility is equipped with automated machinery. Production lines consisting of specialized Italian and German-made machines, computer-controlled and operated by qualified personnel, allow us to obtain high quality products offered.

By working with reputable component suppliers such as, among others: Rehau, Winkhaus Poland, Effector S.A., Schuring Poland, Pilkington, Aluprof, Aliplast, AGC Opatów, DoorHan Czech Republic, we can offer our customers products that meet the most important requirements of quality, safety, energy efficiency and functionality combined with aesthetic appearance at an affordable price.

In our assortment you will find:

- PVC, wood and aluminium windows and doors
- Aluminium structures and façades
- Wood and aluminium joinery
- Aluminium fire protection joinery
- Sectional garage doors

We provide comprehensive service in terms of professional technical advice, installation, transportation, warranty and post-warranty service.

We carry out individual orders and have the ability to meet even the most demanding tastes.

We look forward to working with you.

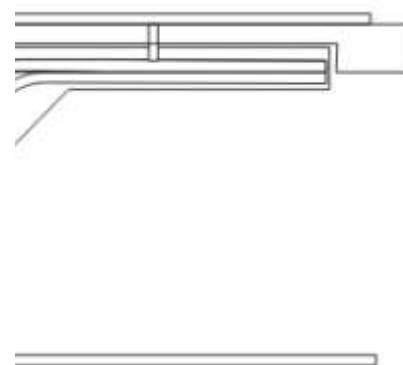


# COMPRESSION SPRING MECHANISM

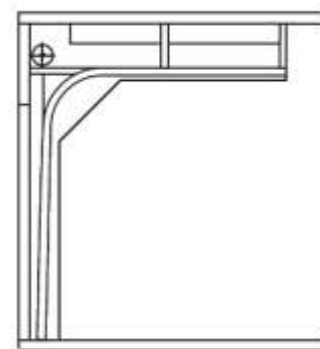
The compression spring mechanism used with the “spring in spring” system is double compression springs and double steel cables to protect the door panel from falling. This system prevents the spring from falling out, which eliminates the risk of injury.



IPB01



Low lift guide

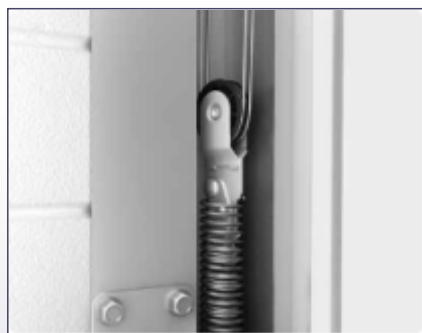


Low lifting

DATA   SPECIFICATIONS [mm]	
Opening width	2000 - 3000
Opening height	2020 - 2820
Minimum lintel without drive	100
Minimum lintel with drive	135
Minimum jambs	85



“spring in spring” system



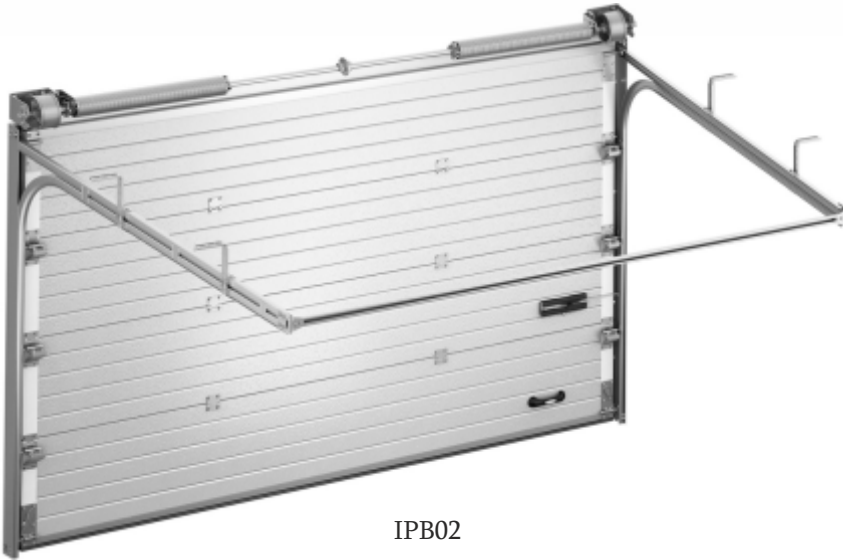
double cable system



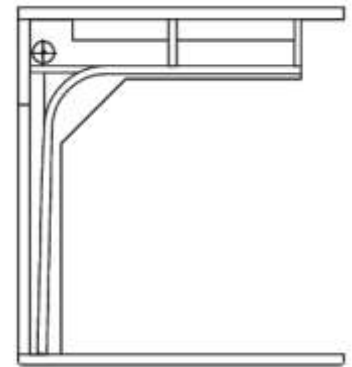
spring fixing system

# TORSION SPRING MECHANISM

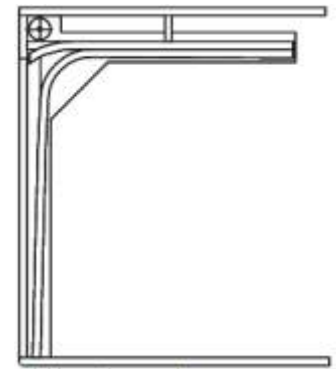
Sectional doors with galvanized torsion springs on both sides are protected against spring break with a safety device. In the event a spring breaks, the safety device stops the door immediately and the panel does not fall down. The mechanism is designed for installation in large garage openings with higher lintels.



IPB02



Standard lifting



Low lifting

DATA   SPECIFICATIONS [mm]	
Opening width	up to 6000
Minimum lintel without drive	350 / 230 / 150
Minimum lintel with drive	350 / 230 / 180
Minimum jambs	100



protection against cable breakage



protection against spring breakage



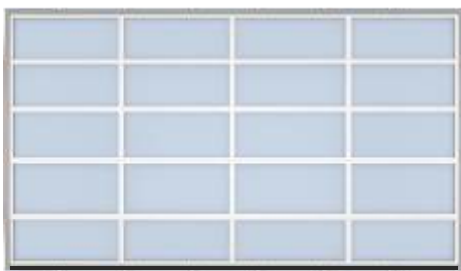
torsion springs



## DOOR GLAZING

With a sectional garage door with glazing, you will gain natural light in its interior, and an aesthetic façade from the outside. The glazed panels are manufactured from special aluminium profiles that provide the same stability as standard steel and polyurethane panels. Thanks to the flexibility of combining glazed panels with standard panels, we offer standard glazed, fully glazed and combination glazed doors. The window is filled with impact-resistant polycarbonate and provides light to the room.

### STANDARD

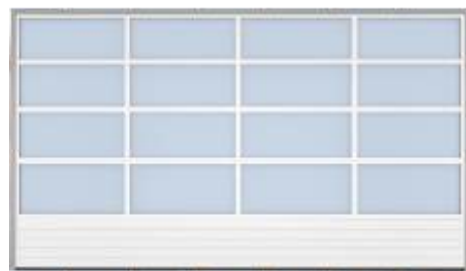


Standard glazing

With vertical lifting and door widths from 4,500 to 6,000 mm, a glazed section width of up to 900 mm without crossbar is possible.

DIMENSIONS OF GLAZED SECTIONS(mm)	
Height	370 - 650
Width	600

### COMBI

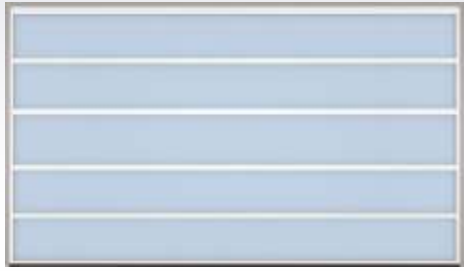


Partial glazing

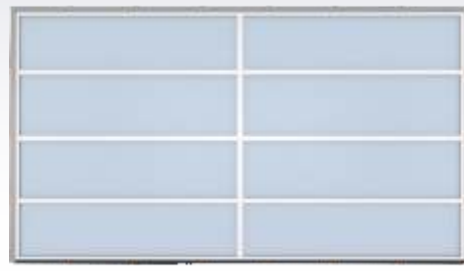
With vertical lifting and door widths from 4,500 to 6,000 mm, a glazed section width of up to 900 mm without crossbar is possible.

DIMENSIONS OF GLAZED SECTIONS(mm)	
Height	370 - 650
Width	600

## FULL GLAZING



Full glazing with  
a width of 3,000



Full glazing with  
a width of 3,000 - 6000

Fully glazed panels provide maximum room illumination.

DIMENSIONS OF GLAZED SECTIONS(mm)	
Height	370 - 650
Width	3000

## ALTERNATIVE DOORS

- ✓ An ideal complement to the garage door is a side door, which gives you the opportunity to enter the garage without having to open the garage door.
- ✓ Side garage doors, matching the door in colour and type of structure, are a good solution for people for whom the garage is not only a safe place to store the car.
- ✓ A major benefit is the low threshold that allows wheeled equipment to pass easily.





Open the door without leaving your car!  
Use the remote to get in and out of the house!

## DRIVES FOR SECTIONAL GARAGE DOORS

The electric drives are designed for the automation of sectional garage doors, which can be easily attached to a track and fixed to the ceiling. A lamp is built into the operator housing for garage lighting, which is automatically switched on when the door is closed or opened.



DIY – 500 KIT CE



Sectional 750 CE / 1200 CE / Fast-750 CE



Sectional 800 PRO CE

Model	DIY-500 KIT CE	Sectional 500C E	Sectional 750 CE	Fast-750 CE	Sectional 1200 CE
Supply voltage (V/Hz)	230/50				
Max. power consumption (W)	100	100	150	150	300
Force (N)	500	500	750	750	1200
Door speed (m/s)	0,14	0,14	0,1	0,1 - 0,18	0,1
Max. door surface (m <sup>2</sup> )	8	8	10	10	16
Max. opening height (mm)	2300	2600	2800	2800	3800
Work intensity (%)	50				
Operating temp. range (°C)	from -20 to +55				
Protection Dass	IP20				



# ACCESSORIES

Remote controls, photocells, external receivers, keypad and other automation accessories enable convenient and safe operation of drive units. The controls are easy to program, set in seconds by pressing buttons and save time. They provide safe and simple control of all automatic systems.



Transmitter 4-CE



Transmitter Premium



LED indicator light



Photocells – transmitter, receiver up to 40 m



Emergency unlocking for garage door driver with a key

# DESIGN

## EMBOSSING TYPES



S-LINE



M-LINE



T-LINE

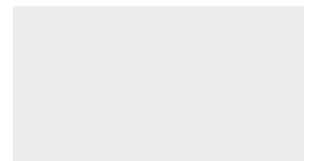


W-LINE



C-LINE

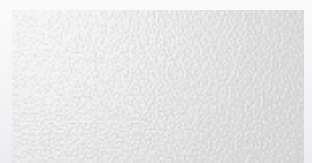
## SURFACE STRUCTURE



Smooth



Stucco



Woodgrain

## TYPES OF PANEL FILLING



Panoramic panel with double glazing



Panoramic panel with single glazing



Panoramic panel with aluminium grid

# VENEER AND RAL COLOURS



Golden Oak

Dark Oak

Swamp Oak

Mahogany

Grey Satin



White

Brown

Green

Blue

Silver

Anthracite

Red

Colour/Style	Stucco	Woodgrain				Smooth			Micro-embossing
	S-line	S-line	M-line	W-line	Coffer	S-line	M-line	W-line	Smooth
9016	●	✓	✓	●	●	●	✓	✓	●
9010	✓	✓	✓	✓	⊕	⊕	✓	✓	⊕
5005	✓	●	●	●	●	●	●	●	●
9006	✓	✓	✓	●	●	●	⊕	⊕	✓
9007	●	●	●	●	●	●	⊕	⊕	⊕
7016	✓	✓	✓	⊕	●	✓	✓	✓	✓
6005	✓	●	●	●	●	●	●	●	●
3000	✓	●	●	●	●	●	●	●	●
8014	✓	✓	✓	●	●	●	●	●	●
9005	●	●	⊕	●	●	●	●	●	●
Grey Satin	✗	✗	✗	✗	✗	✗	✓	✓	✗
Golden Oak	✗	✓	✓	✗	⊕	✗	✓	⊕	✗
Dark Oak	✗	✓	✓	✗	⊕	✗	✓	⊕	✗
Mahogany	✗	✗	✗	✗	✗	✗	✓	✗	✗
Swamp Oak	✗	✗	✗	✗	✗	✗	✓	✗	✗

✓ Available without restrictions ● Extra charge for painting ⊕ Available with extended lead time ✗ Not available

The colours shown are for illustrative purposes only and may differ slightly from the colour of the finished door.

Please ask our sales agents for full colour palettes.

## ACCESSORIES

### WINDOWS

For sectional doors, we offer you built-in windows of various types with impact-resistant polycarbonate glazing. The windows retain their transparency even despite frequent cleaning or heavy mechanical loads. Available colours: white, brown, black, golden oak, dark oak.



Dimensions : 638 x 338 mm



Dimensions: 588 x 181 mm



Diameter: 360 mm



Dimensions: 452 x 322 mm

### HANDLES

Garage doors can be supplied with special handles that allow the door to be opened manually.



The information contained in this catalogue is for information purposes only and does not constitute an offer within the meaning of art. 66 §1 of the Civil Code and other relevant legal regulations. Inwest-Profil is not responsible for any printing or typesetting errors. The right is reserved to make changes, including technical changes,

## **INWEST-PROFIL**

Inwest-Profil sp. z o.o. spółka komandytowa  
Bajdy 206 k/Krosna, 38-471 Wojaszówka, Poland  
tél.+ 48 13 43 858 75 / + 48 13 43 855 80  
fax. +48 13 43 850 38  
hotline : 800 166 155

e-mail: [biuro@inwestprofil.pl](mailto:biuro@inwestprofil.pl)

[www.inwestprofil.pl](http://www.inwestprofil.pl)