



WINDOWS | DOORS | FACADES
MANUFACTURER

CATALOGUE



PANEL DOORS

Aluminium and PCV

www.inwestprofil.pl

CONTENTS

3 INTRODUCTION

DOORS

- 4 Technical data
5 Aluminium panel doors types
6 PVC panel doors type
7 Sidelights
8-13 Aluminium panel doors
with ALUPROF inner core

FERRULES

- 14 Hinges, lock cylinders
15 Locks
16 Electric strikes, door closers
17-18 Handrails, handles

ACCESSORIES

- 19 Electric locks
20 Glass

21 PANEL COLOUR

22-25 EXAMPLE PANEL
DOORS DESIGNS

Since over 20 years, INWEST-PROFIL has been offering high quality aluminium, PVC, and wooden window and door joinery. Due to a long-term experience, qualified personnel and modern production lines, our products are appreciated by customers from Poland, as well as clients in Italy, France or Slovakia. Constantly aiming to meet the needs of our clients and systematically expand the range of our products, we present our aluminium and PVC panel doors, which provide protection against cold and rain, as well as an elegant appearance. When choosing entrance doors, attention should be paid to heat transfer coefficient and waterproof grade. Our offer includes aluminium panel doors of U_d coefficient of $0.66 \text{ W}/(\text{m}^2\text{K})$, waterproof grade in the scale from 1A to 9A, as well as PVC panel doors of U_d

coefficient of up to $0.32 \text{ W}/(\text{m}^2\text{K})$. The high quality of our doors is achieved via numerically controlled modern CNC machines technology, as well as use of the highest quality materials resistant to weather conditions (temperature difference or humidity) in the production process. We offer panels in a wide range of designs and colours, allowing to adapt entrance door to the style and arrangement of any house. Moreover, there is a possibility to produce doors in two different colours on the outside and on the inside. Those elements may be milled, decorated with applications or made of insulated glass. Panel doors are a proposition for the most demanding users, for whom they will become not only a safe and durable entrance, but also a decoration and a showcase of a building. By choosing this product, you choose the highest quality and an original design.



The advantage of panel doors is their flexibility in terms of designing of external appearance, therefore, each customer may design his or her own door with assistance of our sales representative.

Robust and durable, yet light and elegant panel door?

Yes, this is possible.

Due to a structure based on thermal-insulated MB-86 and MB-104 aluminium sections, Passive panel doors are highly resistant to deformations caused by weather conditions, while rigid and durable aluminium profiles ensure their high thermal and acoustic insulation grade. Double seals allow to increase tightness, thus reducing heat losses and eliminating draughts. Doors may be provided in four structure options (ST, SI, SI+, AERO) and three bottom sealing variants.

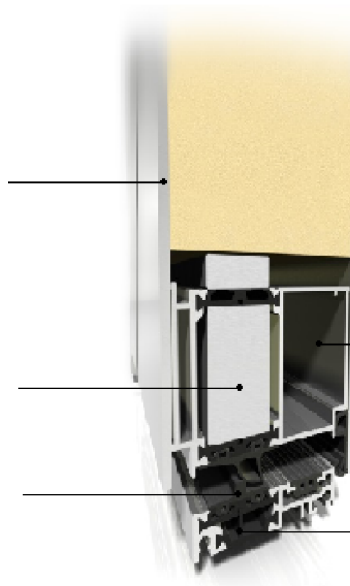
We offer panel doors in a wide range of combinations, e.g.:

- ☑ opening to the inside and to the outside
- ☑ single- or two-leaf
- ☑ full, glazed partially or entirely
- ☑ filled with smooth or milled board, with various types of patterns and applications (modern or classic style designs)
- ☑ with various types of glass: safe, sand blasted, coloured, ornamental, reflective

Aesthetic decorative panels available in many patterns and RAL colours

Four structure options: ST, SI, SI+, and AERO, allowing to obtain very good thermal parameters

Weather strips provide high water tightness and air permeability, bringing comfort and money savings.



Rigid and durable aluminium profiles allow to produce doors of large dimensions

Solutions available with or without the threshold

TECHNICAL DATA [mm]

Frame depth	77
Leaf depth	77
Infill panel thickness	44-77
Maximum leaf dimensions (H x L)	L do 1400 H do 2600

TECHNICAL PARAMETERS

Air permeability	Grade 3, PN-EN 12207:2001
Water tightness	Grade 6A (250 Pa), PN-EN 12208:2001
Wind load resistance	Grade C5/B5, PN-EN 12210:2001
Thermal insulation	U _d from 0.66 W/(m ² K)

ALUMINIUM PANEL DOORS

SIMPLE

Insert panels



on the outside

on the inside

MIDDLE

Flushed on one side

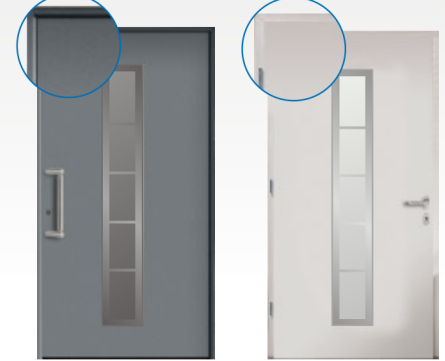


on the outside

on the inside

COMFORT

Flushed on both side



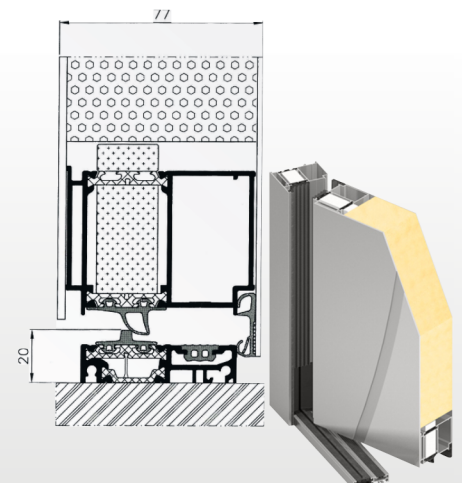
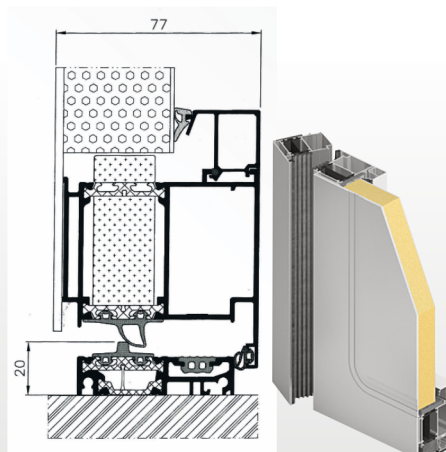
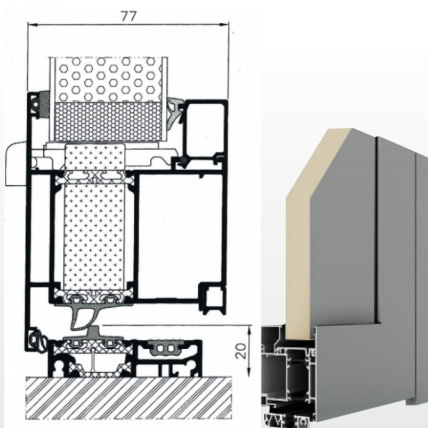
on the outside

on the inside

- ✓ door leaf visible on the outside and on the inside
- ✓ door heat transfer coefficient for door U_d from $0.9 \text{ W}/(\text{m}^2\text{K})$
- ✓ internal and external cladding made of aluminium sheet of 1.5 mm thickness
- ✓ infill panel of total thickness up to 44 mm

- ✓ door leaf visible only on the outside
- ✓ door heat transfer coefficient for door U_d from $0.9 \text{ W}/(\text{m}^2\text{K})$
- ✓ external cladding made of aluminium sheet of 3 mm thickness
- ✓ internal cladding made of aluminium sheet of 1.5 mm thickness
- ✓ infill panel of total thickness up to 44 mm

- ✓ invisible door leaf
- ✓ door heat transfer coefficient for door U_d from $0.66 \text{ W}/(\text{m}^2\text{K})$
- ✓ external cladding made of aluminium sheet of 3 mm thickness
- ✓ internal cladding made of aluminium sheet of 1.5 mm thickness
- ✓ infill panel of total thickness up to 77 mm



PCV PANEL DOORS (SYNEGO SYSTEM)

- ✓ Smooth, high quality external surface of HDF profiles, resistant to weather conditions and easy to clean at the same time
- ✓ Perfect tightness due to three sealing surfaces on the entire circumference
- ✓ Burglary protection grade RC3, RC2 without steel reinforcements
- ✓ Threshold of 20 mm height, accordant with DIN 18024, 28025, 18040 and Polish technical and construction regulations

SYNEGO PROFILE

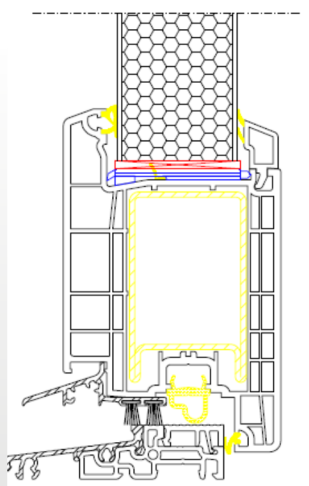
- ✓ High thermal insulation due to 7-chamber frame and 6-chamber leafs

TECHNICAL DATA AND PARAMETERS [mm]	
Profiles depth	80
Infill panel depth	24-80
Thermal insulation	U_d from 0,83 W/m ² K
Water tightness	up to 9A grade DIN EN:122208
Air permeability	Grade 4 PN-EN 12207
Wind load resistance	Grade C5/B5 PN-EN 12210



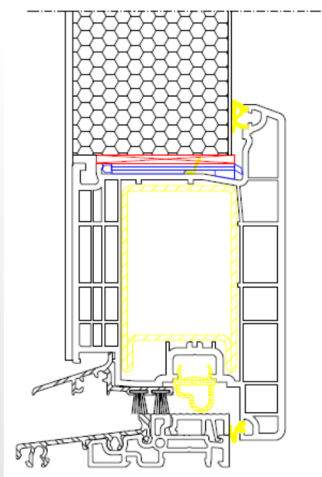
SIMPLE

with an infill door panel



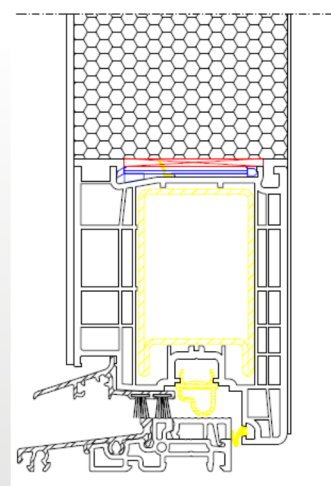
MIDDLE

doors with an infill covering the leaf profile on one side



COMFORT

doors with an infill covering the leaf profile on both sides



POSSIBLE PANEL DOOR EXPANSION OPTIONS

Panel doors may be successfully combined with side and upper transoms.





- ✓ AP 60.1600 stainless steel hand-rails
- ✓ front glazing: VSG 33.1 thermofloat
- ✓ central glazing: sandblasted float with transparent stripes
- ✓ back glazing: thermofloat with black warm edge spacer
- ✓ Alu-Nox application on both sides
- ✓ surface: RAL 9016 Traffic White

- ✓ AP 60.1800 stainless steel hand-rails
- ✓ front glazing: VSG 33.1 thermofloat
- ✓ central glazing: sandblasted float
- ✓ back glazing: thermofloat with black warm edge spacer
- ✓ Alu-Nox application on both sides
- ✓ surface: RAL 7016 Anthracite Grey, Matt



- ✓ AP 60.1000 stainless steel hand-rails
- ✓ front glazing: VSG 33.1 thermofloat
- ✓ central glazing: sandblasted float with transparent stripes
- ✓ back glazing: thermofloat with black warm edge spacer
- ✓ surface: RAL 7016 Anthracite Grey, Matt



- ✓ AP 60.1000 stainless steel hand-rails
- ✓ front glazing: VSG 33.1 thermofloat
- ✓ central glazing: sandblasted float with transparent stripes
- ✓ back glazing: thermofloat with black warm edge spacer
- ✓ milled on both sides
- ✓ surface: RAL 7001 Matt

- ✓ AP 60.1600 stainless steel hand-rails
- ✓ front glazing: VSG 33.1 thermofloat
- ✓ central glazing: sandblasted float with transparent stripes
- ✓ back glazing: thermofloat with black warm edge spacer
- ✓ milled on both sides
- ✓ surface: RAL 7016 Anthracite Grey, Matt
- ✓ a version without glazing available



- ✓ AP 40.1400 stainless steel hand-rails
- ✓ front glazing: VSG 33.1 thermofloat
- ✓ central glazing: milk
- ✓ back glazing: thermofloat black warm edge spacer
- ✓ milled on both sides
- ✓ surface: RAL 3004 Purple Red, Matt



- ✓ AP 60.800 stainless steel hand-rails
- ✓ front glazing: VSG 33.1 thermofloat
- ✓ central glazing: sandblasted float with a transparent rim
- ✓ back glazing: thermofloat with black warm edge spacer
- ✓ surface: RAL 9016 Traffic White

- ✓ AP 60.1800 stainless steel hand-rails
- ✓ front glazing: VSG 33.1 thermofloat
- ✓ central glazing: milk
- ✓ back glazing: thermofloat with black warm edge spacer
- ✓ Alu-Nox application on both sides
- ✓ surface: RAL 9007 Grey, Matt



- ✓ AP 60.1400 stainless steel hand-rails
- ✓ front glazing: VSG 33.1 thermofloat
- ✓ central glazing: sandblasted float with a transparent rim
- ✓ back glazing: thermofloat with black warm edge spacer
- ✓ surface: RAL 9007 Grey, Matt / RAL 3004 Purple Red, Matt



- ✓ AP 210.1600 stainless steel hand-rails
- ✓ front glazing: VSG 33.1 thermofloat
- ✓ central glazing: milk
- ✓ back glazing: thermofloat with black warm edge spacer
- ✓ Alu-Nox application on both sides
- ✓ surface: RAL 7016 Anthracite Grey, Matt

- ✓ AP 60.1600 stainless steel hand-rails
- ✓ front glazing: VSG 33.1 thermofloat
- ✓ central glazing: sandblasted glass with transparent stripes and black frame
- ✓ back glazing: thermofloat with black warm edge spacer
- ✓ Alu-Nox application on both sides
- ✓ milled on both sides
- ✓ surface: RAL 9016 Traffic White



- ✓ AP 50.1200 stainless steel hand-rails
- ✓ front glazing: VSG 33.1 thermofloat
- ✓ central glazing: milk
- ✓ back glazing: thermofloat with black warm edge spacer
- ✓ Alu-Nox application on both sides
- ✓ surface: RAL 7016 Anthracite Grey, Matt



- ✓ AP 50.1200 stainless steel hand-rails
- ✓ front glazing: VSG 33.1 thermofloat
- ✓ central glazing: sandblasted glass with transparent stripes
- ✓ back glazing: thermofloat with black warm edge spacer
- ✓ milled on both sides
- ✓ surface: RAL 9016 Traffic White

- ✓ AP 60.800 stainless steel hand-rails
- ✓ front glazing: VSG 33.1 thermofloat
- ✓ central glazing: sandblasted glass with transparent stripes
- ✓ back glazing: thermofloat with black warm edge spacer
- ✓ Alu-Nox application on both sides
- ✓ milled on both sides
- ✓ surface: RAL 7001 Matt



- ✓ AP 60.800 stainless steel hand-rails
- ✓ front glazing: VSG 33.1 thermofloat
- ✓ central glazing: sandblasted glass with transparent stripes
- ✓ back glazing: thermofloat with black warm edge spacer
- ✓ surface: RAL 9016 Traffic White



- ✓ AP 60.1800 stainless steel hand-rails
- ✓ front glazing: VSG 33.1 thermofloat
- ✓ central glazing: sandblasted glass with transparent stripes, a transparent and decorative frame
- ✓ back glazing: thermofloat with black warm edge spacer
- ✓ AP 3400 Alu-Nox rectangular protection against scratches on both sides
- ✓ surface: RAL 7001 Matt

INDIVIDUAL NUMBER /INSCRIPTION

Additionally to decorations in a form of various patterns we also offer a possibility to mount a decorative panel with house number or name on the door.



FERRULE



ROLLER HINGE

A roller hinge provides aluminium doors with functionality combined with a form that improves optics. The hinge is adjusted in three planes, and even in case of extreme adjustment, it does not show change of position of elements in relation to each other.



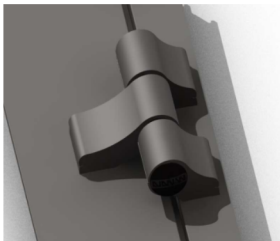
HIDDEN HINGE

We offer fully hidden hinges for doors entirely made of aluminium. They combine a subtle elegance and optical lightness of invisible ferrule elements with a very strong and durable construction.



CONCEALED HINGE

Those hinges are provided in two- or three-blade versions. It is characterised by easy adjustment in 3 planes without the necessity to remove a door leaf. Rigid construction and high-class design make concealed hinges a very durable and aesthetic solution.



TYPES OF LOCK CYLINDERS

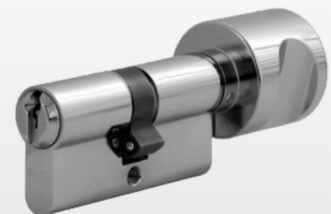
We offer three types of patented and attested lock cylinders, which provide safety level accordant with applicable standards and confirmed with relevant certificates.



one-sided lock cylinder



two-sided lock cylinder



lock cylinder with a knob

MULTI-POINT MECHANICAL LOCKS

Our offer includes three- and five-point locks equipped with a single latch integrated in the main lock and, respectively, two or four steel hooks with double bolts in additional locks.

LOCKING TYPES



ROLLERS

Locking in a single plane using brass rollers with pressure adjustment.



MUSHROOM BARS

Locked in three planes using steel mushroom bars with pressure adjustment.



STEEL BOLTS

Locked in three planes using steel bolts with pressure adjustment, which impedes burglary



STEEL HOOKS

Locked in three planes using steel hooks with pressure adjustment, preventing pulling the frame and leafs away from each other.



STEEL HOOKS WITH DOUBLE BOLTS

Locked in three planes with integrated steel hooks and bolts with pressure adjustment



3-point lock

5-point lock

ELECTRIC STRIKES



Electric strikes are used in multi-family residential buildings, houses and other buildings where a remote door opening control is required. Electrical strikes are often treated as auxiliary devices used together with standard mechanical locks. This allows to open doors using a key as well as other electronic devices. We offer standard and reversed (with reversed opening function) electric strikes. The lock is closed after connecting supply voltage and opened after disconnecting the supply.

SELF-CLOSING MECHANISM



OVERHEAD AND CONCEALED

This is an overhead self-closing mechanism hidden in a door leaf with a sliding rail concealed in a doorframe. Smooth closing speed adjustment, continuous adjustment of opening suppression (“anti-wind function”). Material: stainless steel.



OVERHEAD

This is an overhead self-closing mechanism with a sliding rail or an arm. Closing speed adjusted on the front, final closing stage adjusted on the front for a self-closing mechanism with a sliding rail, through change of a length of arm for a self-closing mechanism with an arm. Material: stainless steel.

HANDRAIL TYPES AND DESIGN

HANDRAILS AVAILABLE IN INOX VERSION



IPP 01



IPP 02



IPP 03



IPP 04



IPP 05

HANDRAILS AVAILABLE IN INOX AND ALUMINIUM VERSIONS



IPP 06



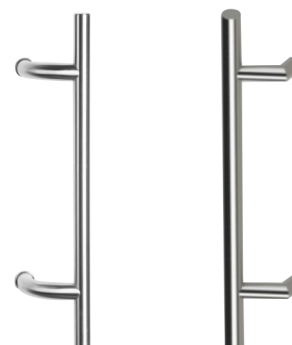
IPP 07



IPP 08



IPP 09



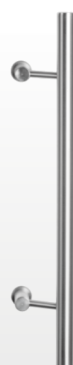
IPP 10



IPP 11



IPP 12



IPP 13



IPP 14



IPP 15



IPP 16



IPP 17



IPP 18



IPP 19



IPP 20



IPP 21



IPP 22

IPP 23

Available handrail colours

- RAL: 9016, 3001, 8003, 7016, 8019, 8017, 8077, 9005
- SILVER, TITAN, GOLD, SATIN

Available handles colours

- silver (F1), gold (F3), vintage gold (F4), inox (F6), black (F8), titan (F9)

HEAD TYPES



HANDLES

H1 TYPE HANDLES ON LONG AND SHORT PLATE



IPK 01



IPK 02



IPK 03



IPK 04

H2 TYPE HANDLES ON LONG AND SHORT PLATE



IPK 05



IPK 06



IPK 07



IPK 08

PANEL DOOR ACCESSORIES

A wide range of accessories constitutes an additional guarantee of meeting various expectations related to use and comfort. This allows to select a solution that is best suited to your needs.

ELECTRONIC LOCKS



- ✓ Code locks (keyboard with a code) – a modern solution for opening and closing of doors without the need to use a mechanical key. Doors are opened using a numeric code.



- ✓ Fingerprint reader (biometric) – it is compatible with electromechanical locks and electric strikes, ensuring the highest degree of safety – programming without a code, door is opened using a fingerprint.



- ✓ Bluetooth reader – doors opened using a phone with Bluetooth application to get rid of a burdening set of keys. Bring your phone close to the reader and touch the Bluetooth panel with your finger – the automatic lock will immediately open the bolts. When you pass the threshold, the door closer will immediately close the leaf, and the automatic lock will block it again. Door may also be opened from the outside using a key, and with a handle from the inside. This system allows to program several phones.



- ✓ Digital door viewer – an electronic door viewer takes the place of a traditional “peephole”. A small monitor installed on a door leaf provides a live image of what is going on in front of your door. Large 3.2” LCD screen provides a clear, bright and colour image.



GLAZING

NWEST-PROFIL offer includes a wide range of transparent glazing, reflective glass and through dyed colour glass.

ORNAMENTY - EFFECT GLASS



Master point



Master care



White Kura



White Niagara



Atlantic



White Alt Deutsch



Cathedral



White Sand Blasted Delta



Master lens



Master Ligne



Master ray



Crepri



White Kora



Brown Kora



White Chinchila



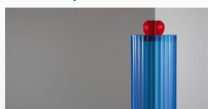
Brown Chinchila



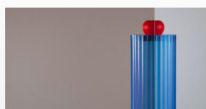
Decormat

REFLEX - AGC

Grey Planibel



Brown Planibel



Green Planibel



- Green Stopsol
- Dark Blue Stopsol
- Silver Anterlio
- Arctic Blue

EXAMPLE DECORATIVE GLASSES



PANEL COLOURS

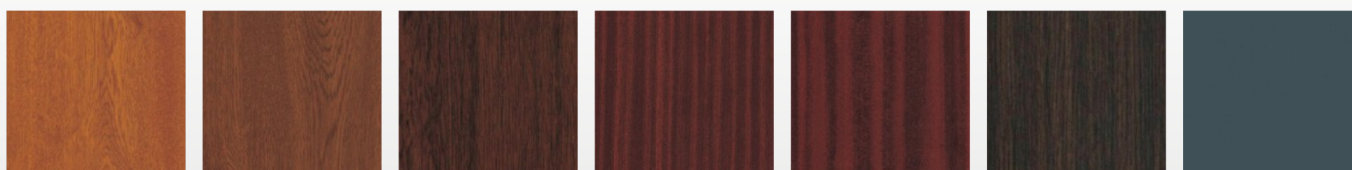
Aluminium panels are powder coated. All RAL colours are available. PVC panels are veneered. A possibility to combine various colours on a single door panel is an interesting solution which provides door with a unique, individual design.



ALUMINIUM

RAL 1000	RAL 1003	RAL 1007	RAL 1011	RAL 1012	RAL 1014	RAL 1016
RAL 1019	RAL 1021	RAL 1024	RAL 1027	RAL 1028	RAL 1032	RAL 1034
RAL 2000	RAL 2001	RAL 2002	RAL 2003	RAL 2009	RAL 2011	RAL 2012
RAL 3000	RAL 3003	RAL 3004	RAL 3007	RAL 3009	RAL 3011	RAL 3012
RAL 3015	RAL 3016	RAL 3017	RAL 3020	RAL 3022	RAL 3027	RAL 4001
RAL 4002	RAL 4003	RAL 4004	RAL 4009	RAL 5000	RAL 5002	RAL 5003
RAL 5004	RAL 5005	RAL 5009	RAL 5012	RAL 5013	RAL 5014	RAL 5017
RAL 5018	RAL 5022	RAL 5023	RAL 5024	RAL 6000	RAL 6001	RAL 6002
RAL 6003	RAL 6004	RAL 6005	RAL 6006	RAL 6009	RAL 6010	RAL 6013
RAL 6014	RAL 6016	RAL 6017	RAL 6018	RAL 6019	RAL 6020	RAL 6021
RAL 6024	RAL 6025	RAL 6026	RAL 6027	RAL 6029	RAL 6032	RAL 6033
RAL 6034	RAL 7000	RAL 7001	RAL 7002	RAL 7003	RAL 7005	RAL 7006
RAL 7008	RAL 7009	RAL 7011	RAL 7013	RAL 7015	RAL 7016	RAL 7021
RAL 7023	RAL 7024	RAL 7032	RAL 7033	RAL 7034	RAL 7035	RAL 7036
RAL 7042	RAL 8000	RAL 8001	RAL 8002	RAL 8012	RAL 8014	RAL 8016
RAL 8019	RAL 8023	RAL 8024	RAL 8028	RAL 9001	RAL 9002	RAL 9003
RAL 9004	RAL 9005	RAL 9010	RAL 9011	RAL 9016	RAL 9017	RAL 9018

PCV - STANDARD COLOURS



Golden oak

Walnut

Rustic oak

Mahogany

Mahogany-Sapeli

Marsh oak 2

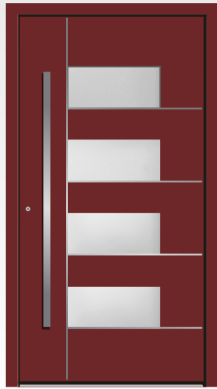
Anthracite

Presented colours are provided for reference only and may slightly differ from a colour of finished door.
For full colour range, contact our sales representatives.

EXAMPLE PANEL DOOR DESIGNS



IPD 01



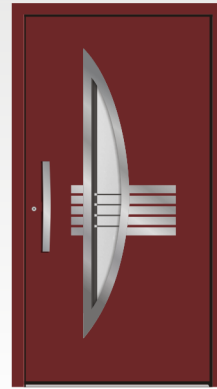
IPD 02



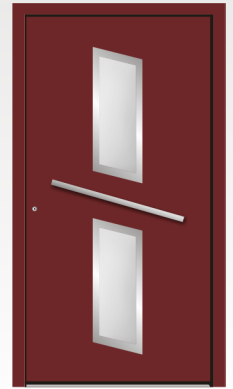
IPD 03



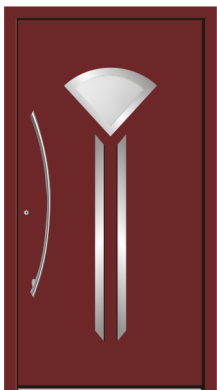
IPD 04



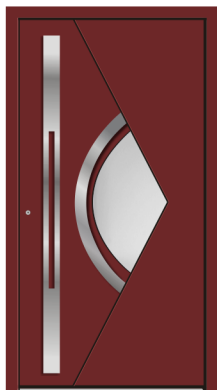
IPD 05



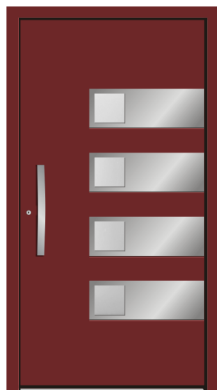
IPD 06



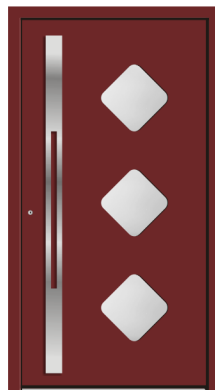
IPD 07



IPD 08



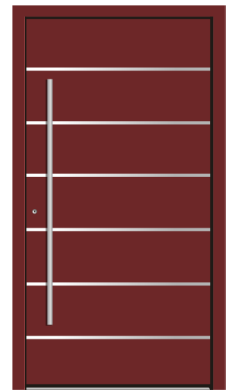
IPD 09



IPD 10



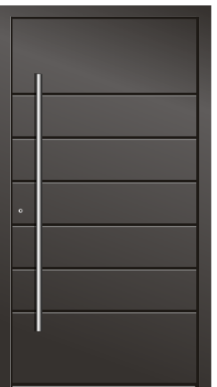
IPD 11



IPD 12



IPD 13



IPD 14



IPD 15



IPD 16



IPD 17



IPD 18



IPD 19



IPD 20



IPD 21



IPD 22



IPD 23



IPD 24



IPD 25



IPD 26



IPD 27



IPD 28



IPD 29



IPD 30



IPD 31



IPD 32



IPD 33



IPD 34



IPD 35



IPD 36



IPD 37



IPD 38



IPD 39



IPD 40



IPD 41



IPD 42



IPD 43



IPD 44



IPD 45



IPD 46



IPD 47



IPD 48



IPD 49



IPD 50



IPD 51



IPD 52



IPD 53



IPD 54



IPD 55



IPD 56



IPD 57



IPD 58



IPD 59



IPD 60



IPD 61



IPD 62



IPD 63



IPD 64



IPD 65



IPD 66



IPD 67



IPD 68



IPD 69



IPD 70



IPD 71



IPD 72



IPD 73



IPD 74



IPD 75



IPD 76



IPD 77



IPD 78



IPD 79



IPD 80



IPD 81



IPD 82



IPD 83



IPD 84



IPD 85



IPD 86



IPD 87



IPD 88



IPD 89



IPD 90



IPD 91



IPD 92



IPD 93



IPD 94



IPD 95



IPD 96

Information included in this catalogue is provided for reference only and is not a commercial offer within the meaning of Art. 66 §1 of the Civil Code and other relevant legal regulations. Inwest-Profil does not take any liability for any errors in print or typesetting. We reserve the right to make changes, including technical modifications, without prior notice. The catalogue is protected by copyrights. All rights reserved.

INWEST-PROFIL

Inwest-Profil sp. z o.o. spółka komandytowa
Bajdy 206 k/Krosna, 38-471 Wojaszówka
phone (13) 43 858 75 / (13) 43 855 80
fax (13) 43 850 38
800 166 155

e-mail: biuro@inwestprofil.pl

www.inwestprofil.pl